

**Basement Development - Specifications for:**

Name: \_\_\_\_\_

Address: \_\_\_\_\_

Legal Land Location: \_\_\_\_\_

Phone: \_\_\_\_\_ Cell: \_\_\_\_\_

Email: \_\_\_\_\_

Contractor: \_\_\_\_\_ Phone: \_\_\_\_\_

Permit # \_\_\_\_\_

Town/Village/RM of \_\_\_\_\_

Date: \_\_\_\_\_



**Specifications**

**Health & Safety Requirements:**

- GFI in the bathroom
- Bathroom ventilation
- Smoke alarms interconnected with other floors above  
*(Smoke alarms are required in each bedroom and on each level)*
- Carbon monoxide alarms  
*(Carbon monoxide alarms are required to be within 5 m of each bedroom door)*

**Walls:**

Type, method & spacing of anchoring: \_\_\_\_\_

Method of floating: Top \_\_\_\_\_ Bottom \_\_\_\_\_

Wall height: \_\_\_\_\_

Insulation & vapour barrier: \_\_\_\_\_

*(Envelope the wall from grade on the foundation side, down to the bottom plate, then up to joists on interior side - as per example on Page 3)*

Inside finish: \_\_\_\_\_

Windows: \_\_\_\_\_

*(Bedrooms windows are to be sized for egress in the case of a fire, as per example on page 2)*

**Ceiling:**

Type: Suspended \_\_\_\_\_ Gyproc: \_\_\_\_\_

Other: \_\_\_\_\_

Insulation & vapour barrier along joist perimeter:

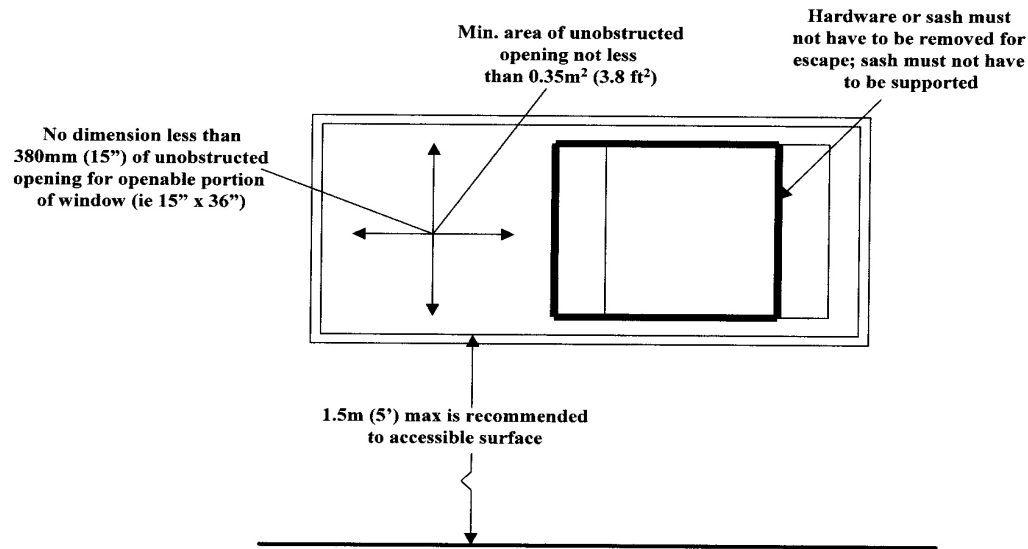
**Other:**

Fireplace: \_\_\_ None \_\_\_ Gas \_\_\_ Electric \_\_\_ Wood  
*(Provide fireplace manufacturer's installation specifications and combustion air source specifications, if applicable.)*

*(Provide a return air to the furnace for the basement.)*

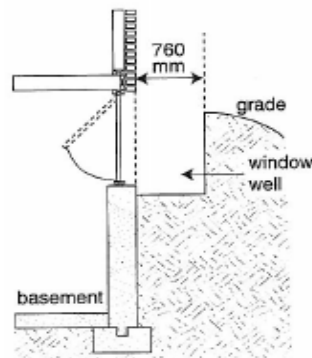
**Attach a sketch of the basement development.**

## Window Requirements for Bedrooms in a Basement Development



### Window Well Egress:

1. Well to be  $760\text{mm}$  (approx.  $30''$ ) away from window opening.
2. Operation of window sash not to reduce minimum clearance.



Per 2010 NBC Figure A-9.9.10.1.(3)

# Wall Detail

